



*Preinsulated connections
for thin conductors*
according to EN 50 306

Railways connections



NEW

Traction and rolling stock products

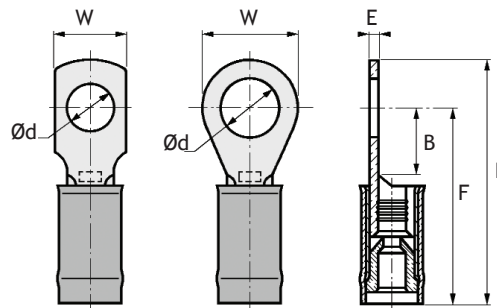
Preinsulated terminals for thin insulating conductors according to EN 50 306



NEW

Characteristics

- Material: tin-plated copper



Wire range mm ² (insulation colour)	Part number	core Ø maxi	Ø insulation		Dimensions (mm)						Reducer colour	Hand tool part number
			mini	max.	Ø d	W	E	L	F	B		
0.5	451143	1.04	1.15	2.0	3.2	5.6	0.8	17.3	14.5	3.5	Yellow	TH1
	451153				3.2	8	0.8	21.5	17.5	6		
	451153R				3.2	6.5	0.8	21	17	5.5		
	451154				4.2	8	0.8	21.5	17.5	6		
	451154R				4.2	6.5	0.8	21	17	5.5		
	451155				5.2	8	0.8	21.5	17.5	6		
	451134				4.2	12.5	0.8	27	20.7	6.5		
	451135				5.2	12.5	0.8	27	20.7	6.5		
	451136				6.3	12.5	0.8	27	20.7	6.5		
	451138				8.4	12.5	0.8	27	20.7	6.5		
0.75	551143	1.15	1.30	2.0	3.2	5.6	0.8	17.3	14.5	3.5	Brown	TH1
	551153				3.2	8	0.8	21.5	17.5	6		
	551153R				3.2	6.5	0.8	21	17	5.5		
	551154				4.2	8	0.8	21.5	17.5	6		
	551154R				4.2	6.5	0.8	21	17	5.5		
	551155				5.2	8	0.8	21.5	17.5	6		
	551134				4.2	12.5	0.8	27	20.7	6.5		
	551135				5.2	12.5	0.8	27	20.7	6.5		
	551136				6.3	12.5	0.8	27	20.7	6.5		
	551138				8.4	12.5	0.8	27	20.7	6.5		
1.00	351143	1.30	1.45	2.0	3.2	5.6	0.8	17.3	14.5	3.5	White	TH1
	351153				3.2	8	0.8	21.5	17.5	6		
	351153R				3.2	6.5	0.8	21	17	5.5		
	351154				4.2	8	0.8	21.5	17.5	6		
	351154R				4.2	6.5	0.8	21	17	5.5		
	351155				5.2	8	0.8	21.5	17.5	6		
	351134				4.2	12.5	0.8	27	20.7	6.5		
	351135				5.2	12.5	0.8	27	20.7	6.5		
	351136				6.3	12.5	0.8	27	20.7	6.5		
	351138				8.4	12.5	0.8	27	20.7	6.5		

Note: part number with "R" suffix are for square terminals.

Traction and rolling stock products

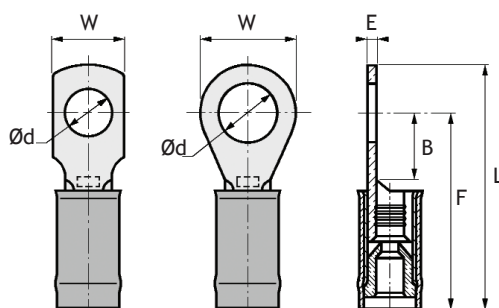
Preinsulated terminals for thin insulating conductors according to EN 50 306



NEW

Characteristics

- Material: tin-plated phosphorous bronze



Wire range mm ² (insulation colour)	Part number	core Ø maxi	Ø insulation		Dimensions (mm)						Reducer colour	Hand tool part number
			mini	max.	Ø d	W	E	L	F	B		
1.5	451183	1.65	1.80	2.70	3.2	8.6	0.8	21.5	17.2	6	Orange	TH2
	451183R				3.2	6.5	0.8	21	17	5.5		
	451184				4.2	8.6	0.8	21.5	17.2	6		
	451184R				4.2	6.5	0.8	21	17	5.5		
	451185				5.2	8.6	0.8	21.5	17.2	6		
	451174				4.2	12.5	0.8	21	20.7	6		
	451175				5.2	12.5	0.8	27	20.7	6		
	451176				6.3	12.5	0.8	27	20.7	6		
2.5	451178	2.15	2.30	2.90	8.4	12.5	0.8	27	20.7	6	Black	TH2
	551183				3.2	8.6	0.8	21.5	17.2	6		
	551183R				3.2	6.5	0.8	21	17	5.5		
	551184				4.2	8.6	0.8	21.5	17.2	6		
	551184R				4.2	6.5	0.8	21	17	5.5		
	551185				5.2	8.6	0.8	21.5	17.2	6		
	551174				4.2	12.5	0.8	21	20.7	6		
	551175				5.2	12.5	0.8	27	20.7	6		
551176	6.3	12.5	0.8	27	20.7	6						
551178	8.4	12.5	0.8	27	20.7	6						

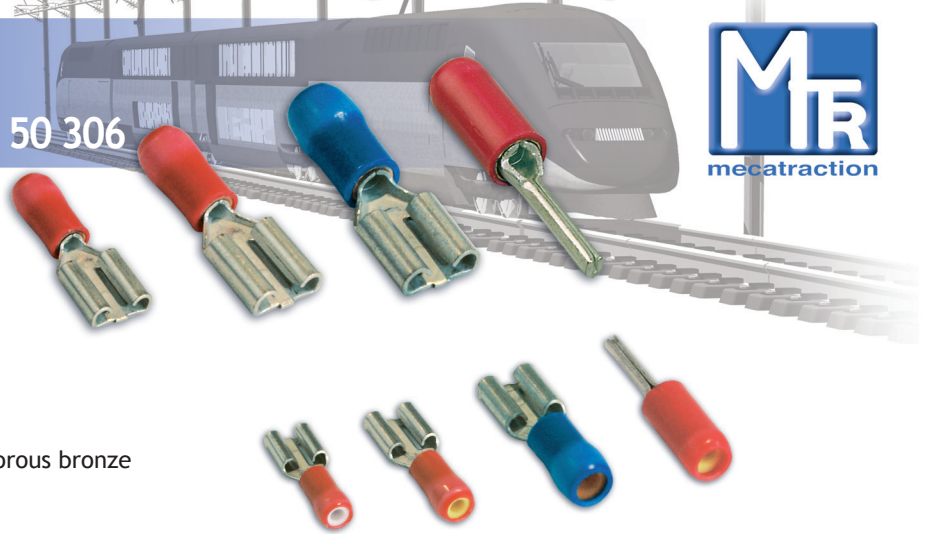
Note: part number with "R" suffix are for square terminals.

Traction and rolling stock products

Preinsulated disconnects and preinsulated cables pins for thin conductors according to EN 50 306



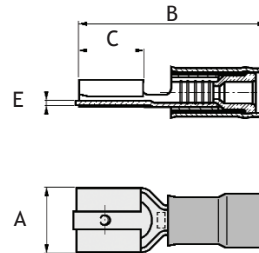
NEW



Characteristics

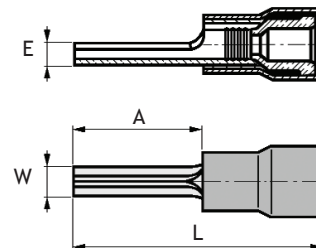
- Preinsulated disconnects: tin-plated phosphorous bronze
- Preinsulated cables pins: tin-plated copper

Preinsulated disconnects for thin insulating conductors according to EN 50 306



Wire range mm ² (insulation colour)	Part number	Tabs l x e	core Ø maxi	Ø insulation		Dimensions (mm)				Reducer colour	Hand tool part number
				mini	max.	A	B	C	E		
0.5	451031	2.8x0.5	1.04	1.15	2.0	3.7	18.5	6.5	0.25	Yellow	TH1
	451081	5x0.8				6.4	21.5	7.7	0.5		
	451181	6.35x0.8				7.7	21.5	7.7	0.5		
0.75	551031	2.8x0.5	1.15	1.30	2.0	3.7	18.5	6.5	0.25	Brown	TH1
	551081	5x0.8				6.4	21.5	7.7	0.5		
	551181	6.35x0.8				7.7	21.5	7.7	0.5		
1.0	51033	2.8x0.5	1.30	1.45	2.0	3.7	18.5	6.5	0.25	White	TH1
	51083	5x0.8				6.4	21.5	7.7	0.5		
	51183	6.35x0.8				7.7	21.5	7.7	0.5		
1.5	451131	5x0.8	1.65	1.80	2.70	6.4	21.5	7.7	0.5	Orange	TH2
	451231	6.35x0.8				7.7	21.5	7.7	0.5		
2.5	551131	5x0.8	2.15	2.30	2.90	6.4	21.5	7.7	0.5	Black	TH2
	551231	6.35x0.8				7.7	21.5	7.7	0.5		

Preinsulated cable pins for thin insulating conductors according to EN 50 306



Wire range mm ² (insulation colour)	Part number	core Ø maxi	Ø insulation		Dimensions (mm)				Reducer colour	Hand tool part number
			mini	max.	W	A	L	E		
0,5	451220	1.04	1.15	2.0	1.6	10	22.5	1.9	Yellow	TH1
0,75	551220	1.15	1.30	2.0	1.6	10	22.5	1.9	Brown	
1,0	351220	1.30	1.45	2.0	1.6	10	22.5	1.9	White	

